

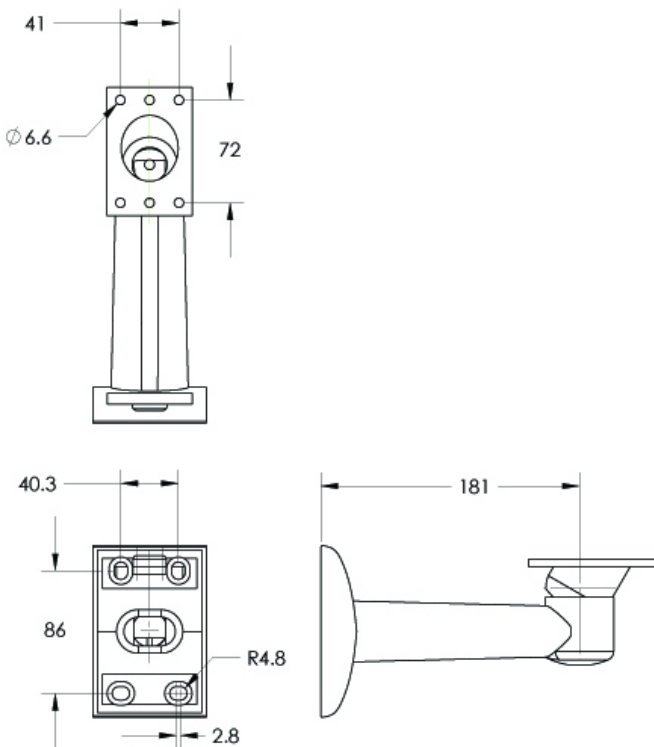
Key Features

- Made with thick cast aluminum
- Pan/Tilt adjustable camera platform
- Tough 4-bolt anchorage
- Light weight design weighing 1.0lbs (0.45kg)

Product Description

A heavy-duty wall bracket designed for rugged outdoor applications. The thick cast aluminium is extremely durable and tough while its versatile design enables compatibility with Extreme CCTV's REG™ D1 and REG™ L1 cameras. The design enables complete cable management, concealing wires for maximum protection and aesthetics. The EXMB.028 bracket weighs only 1.0lbs (0.45kg) and pan/tilt adjustable for convenience and customized surveillance angles.

Technical Drawings



*All measurements are in millimetres

Product Image



Specifications

Construction	Cast aluminum
Finish	Black or White
Weight	0.45kg / 1.0lbs

Compatible Camera / Illuminator Housings

Extreme CCTV	REG™ D1
Extreme CCTV	REG™ L1



EXMB.028 bracket is shown here with the REG D1 License Plate Capture camera. The bracket design allows for complete cable management

Dealer / Distributor



Corporate Headquarters
Extreme CCTV Inc
TF: 1 888 409 2288
T: +1 604 420 7711
F: +1 604 420 3300
E: Sales@ExtremeCCTV.com
www.ExtremeCCTV.com



European Operation
Derwent Systems Ltd
A Division of Extreme CCTV (UK) Ltd
T: +44 (0) 1670 730 187
F: +44 (0) 1670 730 188
E: SalesUK@DerwentCCTV.com
www.DerwentCCTV.com