

## DH100 Series

Digital Video Surveillance  
Recorder 4/8 Channel H.264  
CMS-DH 3G Mobile 240/240



## Features

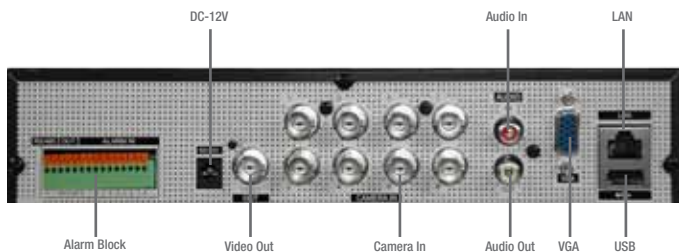
- ❖ H.264 compression, supports D1 resolution video recording
- ❖ Security Certified Hard Disk with up to 2TB of data storage
- ❖ Back-up through USB port to Flash and optical drives\*
- ❖ Excellent quality live and recorded video and audio
- ❖ 240fps 'real-time' viewing, 240fps recording (8 channel)
- ❖ CMS-DH application supports up to 300 DVRs, 64 channels, live-playback, E-map, full control, up to 8 screen display
- ❖ 3G Smart phone view, supports BlackBerry, iPhone and Android\*
- ❖ Dual Streaming
- ❖ PIP in Live mode: monitor two cameras at once, using picture-in-picture mode
- ❖ D1 Real-time recording (4ch)
- ❖ NTP/Time Zone (DST): Synchronize your DVR time with internet time server. Setup Time Zone for day light saving time
- ❖ High Speed Backup: 75sec for backup 220MB of footage via USB flash memory. Support backup to external devices while recording
- ❖ Fully compatible with both PC and Mac

# Specifications

Video IN/Loop Out:	4ch: 4 input, 8ch: 8 in put
Video Display:	4ch: 1,4 Split, 8ch: 1,4,8 Split
Monitor Out:	1 ch
Spot Out:	N/A
Audio In/Out::	1 In/1 Out
Video Compression:	H.264 hardware codec
PIP Display:	YES
Live Display Resolution:	NTSC: 704 X 480, PAL: 704 X 576
Dual Stream Resolution (Pixel):	
Main (Recording):	NTSC: 704X480, 704X240, 352X240 PAL: 704X576, 704X288, 352X288
Sub (Network):	NTSC: 350 x 240 PAL: 352 x 288
Recording Speed: NTSC:	- 4ch: 120fps, 704X480 / 120fps, 704X240 / 120fps, 360x240 - 8ch: 120fps, 704X480 / 240fps, 704X240 / 240fps, 360x240
Recording Speed: PAL	- 4ch: 100fps, 704x576 / 100fps, 704x288 / 100fps, 352x288 - 8ch: 100fps, 704x576 / 200fps, 704x288 / 200fps, 352x288
Pre-Alarm:	10 SEC
Post- Alarm:	Embedded Linux
OS:	Embedded Linux
MAC OS:	YES. Supports PC & Mac OS
3G / GRPS:	Symbian, Win Mobile, Black Berry, iPhone, Android
Network:	10/100 Base T
USB:	USB 2.0 (Front - Backup) + USB 1.1 (Rear - Mouse)
SATA HDD:	Max 1EA
PTZ:	RS485
Alarm Function:	4 In / 1 Out (NO/NC)
Remote Control:	IR Input
Front LED:	Power, REC, NET
Power Adaptor:	Adaptor 12V, 3A
Power Source:	36W

\*check website for compatibility listing

## Back Panel



GUI

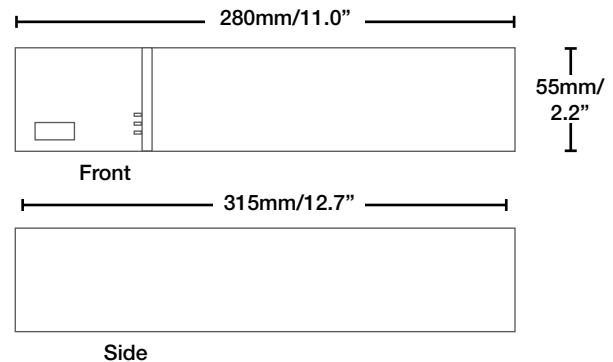


CMS-DH



**3G Smart Phone Viewing, BlackBerry, iPhone & Android\***

## Dimensions



## Product Information

UPC:	<b>DH104000</b> 4 Channel, no HDD	<b>8-41430-00643-5</b>
	<b>DH104501</b> 4 Channel 500GB HDD	<b>8-41430-00644-2</b>
	<b>DH1041TB</b> 4 Channel 1TB HDD	<b>8-41430-00645-9</b>
	<b>DH108000</b> 8 Channel, no HDD	<b>8-41430-00646-6</b>
	<b>DH108501</b> 8 Channel 500GB HDD	<b>8-41430-00647-3</b>
	<b>DH1081TB</b> 8 Channel 1TB HDD	<b>8-41430-00648-0</b>

Weight:	3.16kg/6.8lbs
Package Dimensions:	340mm x 145mm x 410mm / 13.4" x 5.7" x 16.1" (W x H x D)
Includes:	DVR, HDD Pre-Installed, Remote Control, Power Supply, Software application CD