

DIGIMERGE | Right for Business



DEZ26T022

Vandal Indoor/Outdoor

PTZ Camera

22x Optical Zoom



Features

- ❖ 22X optical zoom / 16X digital zoom
- ❖ 1/4" Sony EXview HAD™ CCD/ 580TVL
- ❖ DVR remote/keyboard control via RS485
- ❖ Pan: 360° Endless, Tilt: 0° ~ 180° (Digital flip)
- ❖ Maximum Pan/Tilt Speed 380°/sec
- ❖ Up to 120 programmable preset positions
- ❖ Up to 255 selectable camera addresses
- ❖ Rugged, compact vandal-proof housing designed for interior/exterior applications (Weatherproof - IP66 Rated)
- ❖ Dual power operation (12V DC / 24V AC)

Specifications

CCD Type:	1/4" Type EXview HAD™ CCD
Optical / Digital Zoom:	22X / 16X
Resolution:	580 TVL
Focal Length:	3.9mm ~ 85.8mm, F1.6 – F3.7
Angle of View:	3.9mm – 49.5° (H) 85.8mm – 2.4° (H)
Normal:	0.5 Lux
Low Shutter:	0.01 Lux
ICR on & Low Shutter:	0.001 Lux
ICR on (Day & Night):	YES
E-WDR:	YES
Motion Detection (in PRESET):	YES
Tilt Angle:	0° ~ 180° (Digital Flip)
Image Flip:	YES
Panning Angle:	360 continuous rotation
Alarm:	1 input (NC/NO), 1 TTL output
Auto Scan:	1 auto pan & 4 auto scan capability
Preset:	120 presets with individual camera AE setup
Pattern:	4 patterns (recording up to 200 sec.)
Tour:	4 tours (consist of 42 functions / 1 tour)
Max Speed:	380° /sec.
Area Title:	Divided in up to 8 areas with 12 characters of title
Privacy Zone:	4 privacy zone masking (2 methods selectable: Block / video off)
Power Source:	12V DC / 24V AC ± 10%
Power Consumption:	12W
Control:	RS-485, Pelco D / P, baud rate: 2400~19.2k bps (default: 9600 bps)
ID (Camera Address):	1 ~ 255
Weight:	Approx. 1.5 kg
Operating Temperature:	-10°C to 50°C (14°F to 122°F)
Operating Humidity:	0 to 90%RH (non-condensing)
Storage Temperature:	-20°C to 60°C (-4°F to 140°F)

Optional Accessories

ACCKBD150 Keyboard Controller



MNTV1XWC Wall/Ceiling Mount



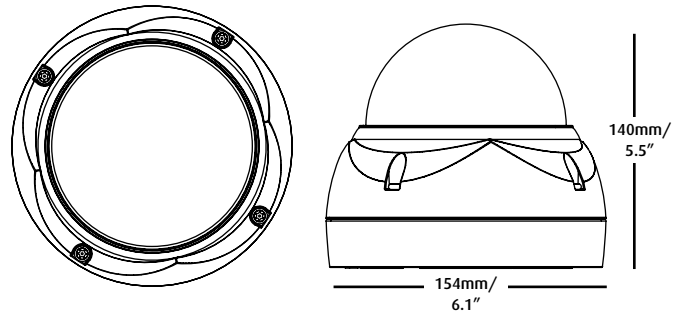
MNTV1XP Pole Mount



MNTV1XR Corner Mount



Dimensions



Product Information

UPC:	8-41430-00652-7
Weight:	1.65kg / 3.7lbs
Package Dimensions: (W x D x H)	215mm x 215mm x 220mm 8.5" x 8.5" x 8.7"
Package Cube:	0.0102 cbm / 0.359cu ft