



TCM-4101

H.264 IP Cube Camera



* The bracket is included.

- 1/3" Micron Progressive Scan CMOS
- Bundled with f4.2 mm / F1.8 Fixed lens
- 0.5 Lux at F 1.0
- Interchangeable Lenses Available
- Shutter Speed, White Balance, Exposure, Gain Controls supported
- H.264 / MPEG-4 / MJPEG triple codec with two simultaneous streams
- VGA resolution at 30 FPS
- Two-way audio supported
- Hardware motion detection
- DC 12V or Power over Ethernet (IEEE 802.3af) supported

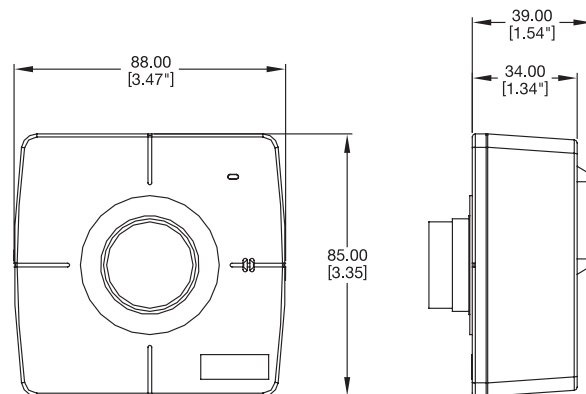


- ① Power LED
- ② Built-in Microphone

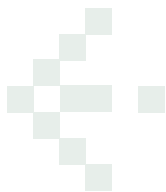


- ③ Audio Output
- ④ Ethernet Port
- ⑤ Reset Button
- ⑥ DC 12V Power Input

DIMENSION DIAGRAM



Unit: mm [inch]



PRODUCT SPECIFICATION

		TCM-4101
Image	Device	Micron Progressive Scan CMOS
	Size	1/3 inch
	Effective Pixels	640(H) x 480 (V)
Min. scene Illumination	Color	0.5 Lux at F1.0 (2400 °K, 30 IRE)
Lens	Lens	f4.2 mm / F1.8
	Viewing Angle	75° (Horizontal)
Synchronization	Sync. System	Internal
Functions	Motion Detection	Yes (3 Windows)
	Electronic shutter	1/5 ~ 1/15,000 sec.
	Fixed Shutter (Manual)	1/30 ~ 1/1,000 sec. (60Hz); 1/25 ~ 1/1,000 sec. (50Hz)
	Flickerless	1/120 sec. (60Hz); 1/100 sec. (50Hz)
	BLC	Yes
	AGC	Automatic (User defined)
	White Balance	AUTO, INDOOR1, INDOOR2, OUTDOOR1, OUTDOOR2, HOLD CURRENT, MANUAL
S/N Ratio	S/N Ratio	Better than 44 dB
Video Compression	Compression	H.264 / MPEG-4 SP / MJPEG simultaneous dual streams selectable
	Picture Resolution	VGA (640 x 480) QVGA(320 x 240) QQVGA(160 x 112)
	Bit Rate	28K ~ 6M bps
	Image Frame Rate	30 fps at VGA resolution
Audio Input	Compression	8kHz, Mono, PCM
	Built-in Microphone	Sensitivity: -36±3dB(0dB=1V/Pa); S/N Ratio: more than 58 dB; Directivity: Omni-directional
Audio Output	Compression	8kHz, Mono, PCM
	Audio Line Output	Unbalanced, 1.4Vp-p, 1Vrms, 3.5 mm Phone Jack
External I/O	Reset Button	Factory default
	LED	System status
Network	Ethernet	Ethernet(10/100 Base-T), RJ-45 connector
	Protocol	TCP, UDP, IP, HTTP, HTTPS, DHCP, PPPoE, RTP, RTSP, IPv6, FTP, SMTP, DNS, DDNS, NTP, ICMP, IGMP, ARP, UPnP
Software	Web Browser	Microsoft Internet Explorer 6.0 or above
	SDK	ACTi SDK-10000
	Security	Password protection: configured by the administrator
Operating	Temperature	-10 °C ~ 40 °C (14 °F ~ 104 °F)
Power	Power Requirement	PoE (IEEE802.3af) with Class 3
	Power Consumption	4.1 W (DC 12V) ; 5.3 W (PoE)
Physical	Dimensions (WxHxD)	88 mm x 85 mm x 39 mm (3.47" x 3.35" x 1.54")
	Weight	150 g (0.33 lb) (w/o bracket)
Approvals	Certificate	CE, FCC

ACCESSORY OPTIONS

- Lens, f2.4~6mm F1.2, CS mount, Format 1/3" PLEN-0201
- Lens, f2.8~12mm F1.6, CS mount, Format 1/3" PLEN-0202

BUNDLED ACCESSORY



- Max. Load: 1.5 kg
- Material / Color: ABS PLASTIC / Grey
- Dimension (H x D) : 115 mm X 80 mm
- Swivel Angle: 360°
- Tilt Angle: 90°